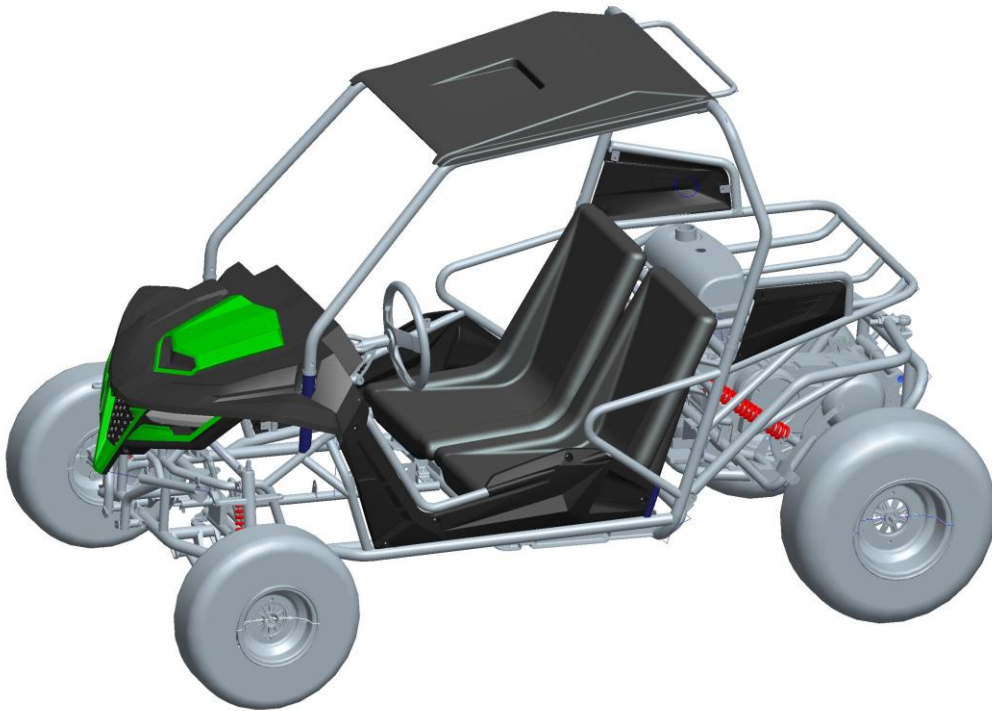


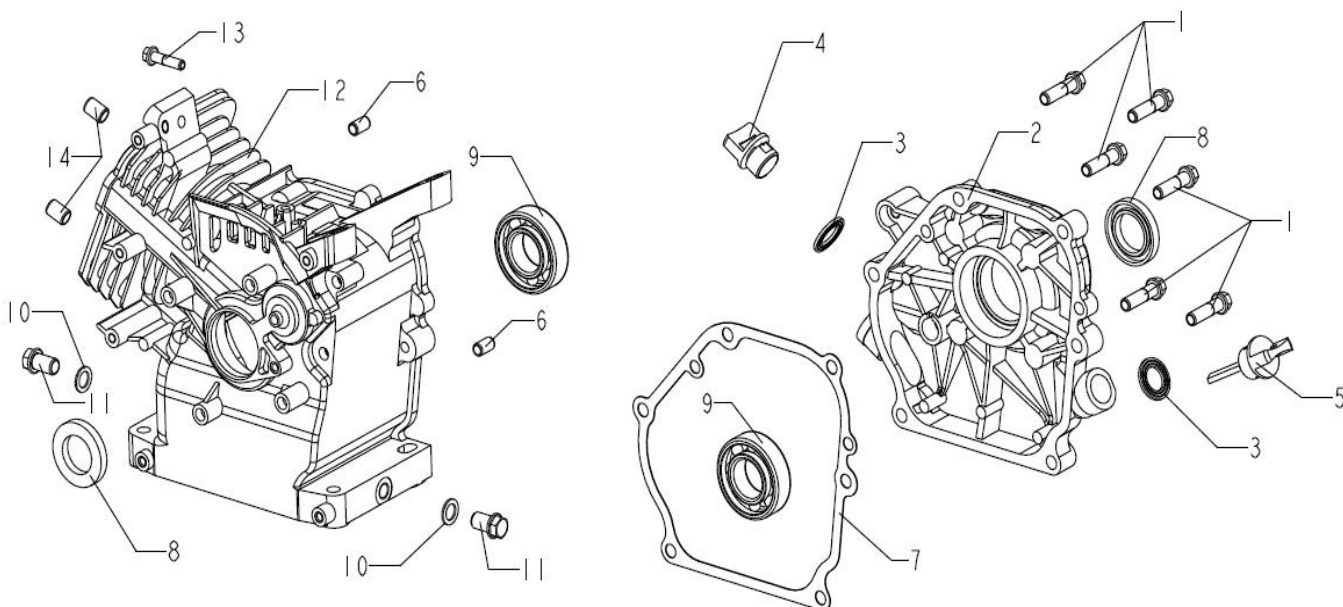
CHEETAH 8

PARTS MANUAL



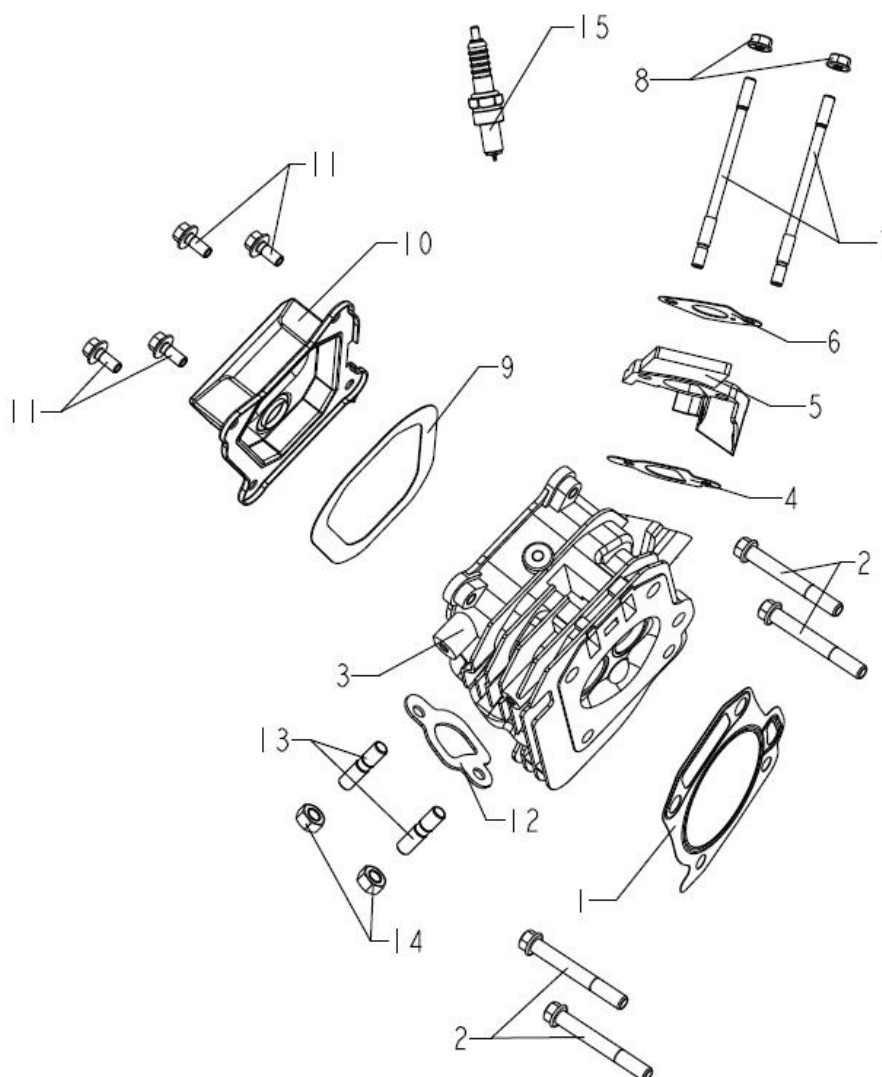
EN-FIG 1: ENGINE

NO.	CODE	DESCRIPTION	QTY.
1	GB/T5787-1986	Bolt M8X30	6
2	QJ168QDJ.01-01	Cover,Crankcase	1
3	JF142F.8-5	Waasher,Seal	2
4	QJ168QDJ.01-04	Guage,Engine Oil	2
5	QJ168QDJ.01-03	Cover,Supply Oil Mouth	1
6	157.3-8	Guide,Dowel (8x14)	2
7	QJ168QDJ.01-02	Spacer,Crankcase	1
8	QJ168QDJ.01.01	Oilseal Assy 25X41.25X6	2
9	GB/T276-1994	Bearing6025/P53	2
10	QJ166QDK.01-07	Spacer,Drain Plug	2
11	QJ166QDK.01-06	Drain Plug	2
12	JF168FLH-16.01.01	Crankcase Assy	1
13	GB/T5789-1986	Bolt M6X30	1
14	157.4-6	Guide,Dowel (10x14)	2



En-Fig 2: CYLINDER HEAD ASSY.

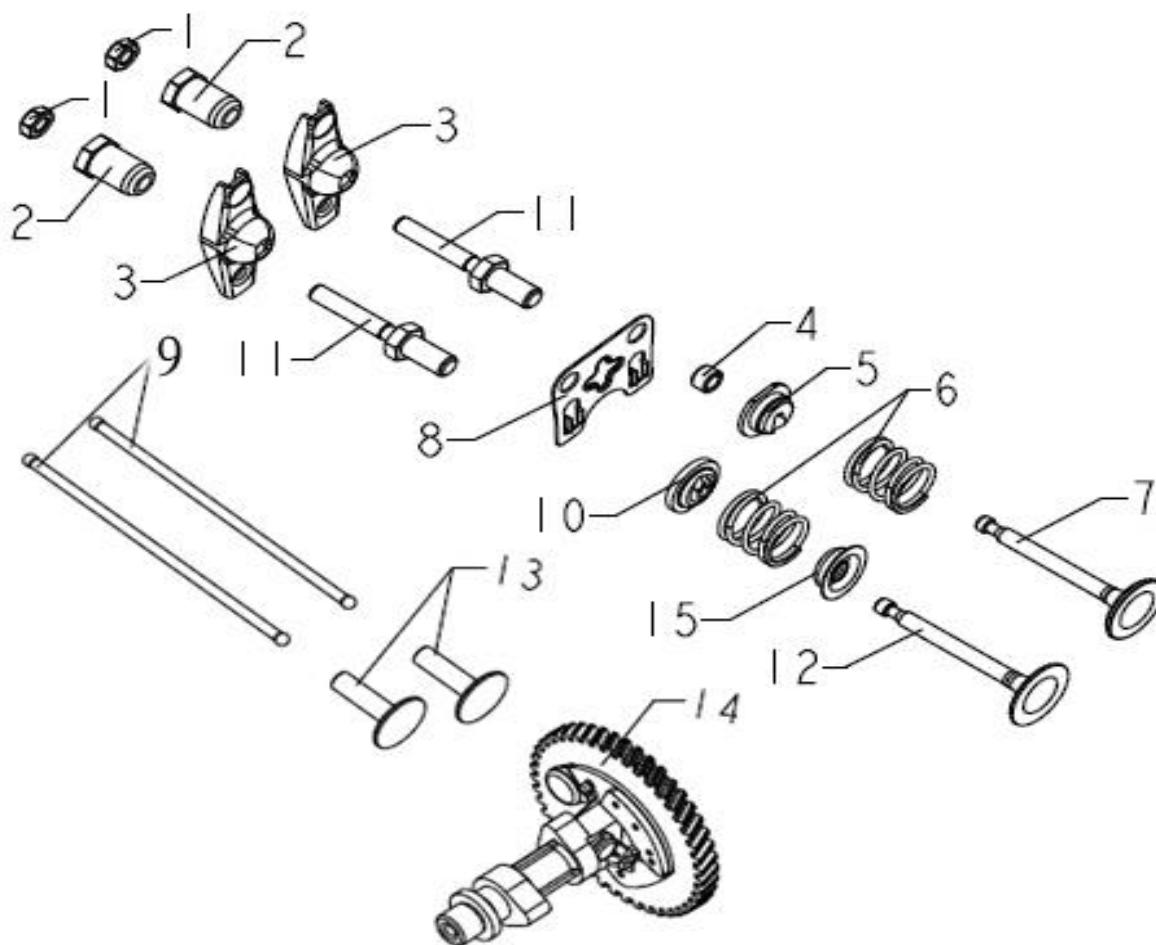
NO.	CODE	DESCRIPTION	QTY.
1	QJ168QDL.02-01	Spacer Assy,Cylinder Head	1
2	GB/T5787-1986	M8X660Bolt,Cylinder Head	4
3	QJ168QDL.02.01	Cylinder Head	1
4	QJ168QDJ.02-04	Spacer 1	1
5	QJ168QDJ.02-02	Mattress,Heat Insulating	1
6	QJ168QDJ.02-05	Spacer 2	1
7	QJ168QDJ.02-03	Bolt,Intake Pipe	2
8	GB/T6177-2000	Nut M6	2
9	QJ168QDJ.02-06	Spacer,Seal	1
10	QJ168QDJ.02.03	Clipboard	1
11	GB/T5789-1986	Bolt M6X14	4
12	QJ168QDJ.02-01	Spacer,Exhaust Pipe	1
13	QJ168QDJ.02-07	Bolt,Exhaust Pipe	2
14	GB/T6170-2000	Nut M8	2
15	QJ1E50FMG.1.2	(F7RTC) Spark Plug	1



En-Fig 3:

INTAKE EXHAUST MECHANISM ASSY

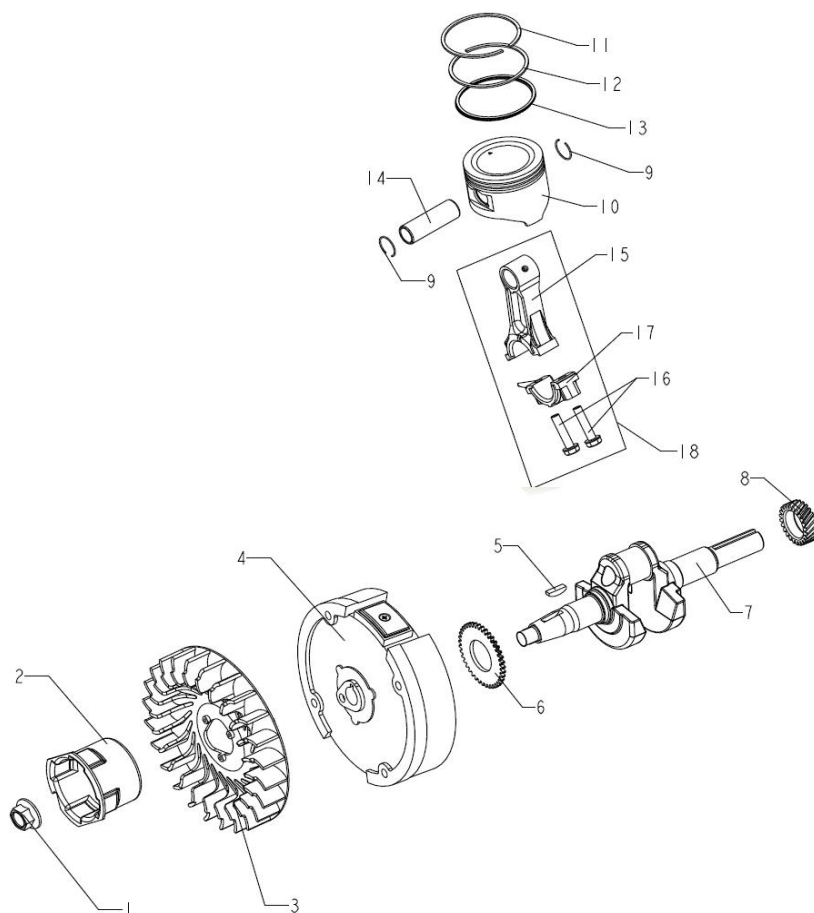
NO.	CODE	DESCRIPTION	QTY.
1	QJ166QDK.03-11	Adjusting Nut,Valve Clearance	2
2	QJ182QDP.03-07	Buttonhead,Arm	2
3	QJ168QDJ.03-09	Arm	2
4	J168QDJ.03-02	Cap,Exhaust Door Rod	1
5	QJ168QDJ.03-10	Upper Retainer,Exhaust Door Spring	1
6	QJ168QDJ.03-07	Spring,Valve	2
7	QJ168QDJ.03-05	Valve,Exhaust	1
8	QJ168QDJ.03.04	Guide Plate,Connecting Stud	1
9	QJ168QDJ.03.02	Rod,Connecting	2
10	QJ168QDJ.03-08	Upper Retainer,Intake Door Spring	1
11	QJ182QDP.03-04	Adjusting Stud,Valve Clearance	2
12	QJ168QDJ.03-06	Valve,Intake	1
13	QJ168QDL.03-01	Stud,Connecting	2
14	QJ168QDL.03.01	Camshaft	1
15	QJ168QDJ.03.03	Oilseal,Valve	1



En-Fig 4:

BRANCE FLYING WHEEL

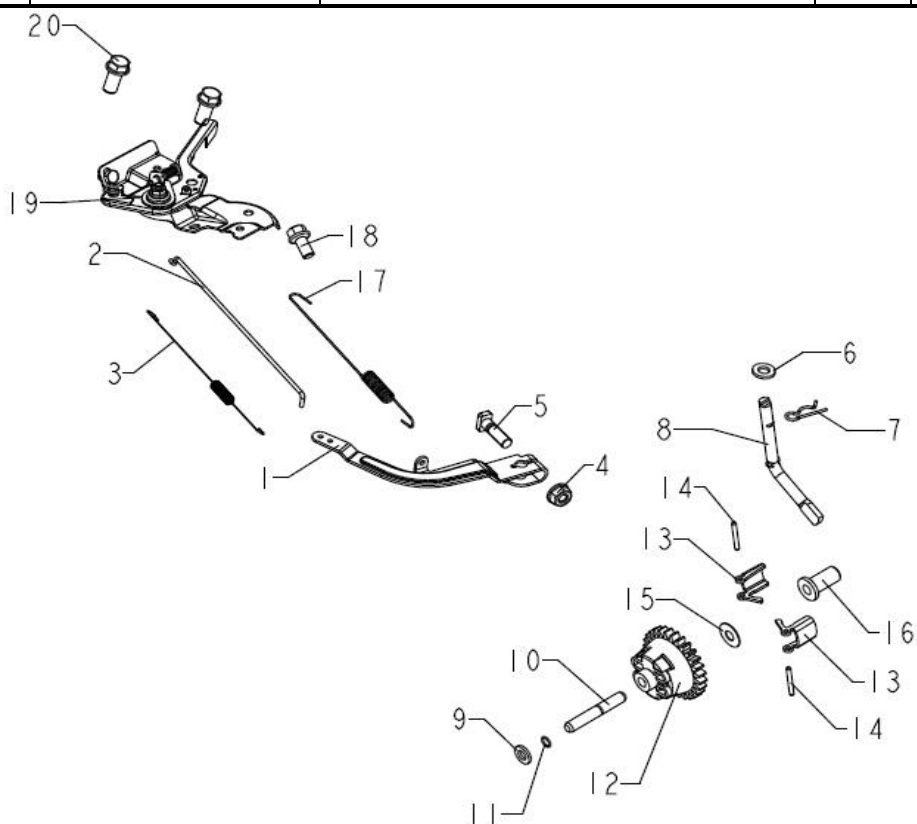
NO.	CODE	DESCRIPTION	QTY.
1	QJ168QDJ.04-06	Nut,Clamp	1
2	QJ168QDJ.04-10	Ratchet Wheel	1
3	QJ168QDJ.04-11	Fan	1
4	JF168FJH-5.02.01	Flying Wheel	1
5	QJ182QDP.04-03	Key	1
6	QJ168QDJ.04-09	Driven Gear,Adjusting	1
7	JF168FLH-8B.04-01	Branche	1
8	QJ168QDJ.04-08	Gear,Crankshaft Timing	1
9	QJ168QDJ.04-05	Circlip,Piston Pin	2
10	QJ168QDL.04-01	Piston	1
11	QJ168QDJ.04-02	Ring,First	1
12	QJ168QDJ.04-03	Ring,Second	1
13	QJ168QDJ.04.01	Oil Ring Assy	1
14	QJ168QDJ.04-04	Pin,piston	1
15	QJ168QDJ.04.02-01	Rod,Connecting	1
16	QJ166QDK.05.02-03	Bolt,Connecting Rod	2
17	QJ168QDJ.04.02-02	Cover,Connecting Rod	1
18	QJ168QDJ.04.02	Connecting Rod Assy	1



En-Fig 5:

CENTRIFUGAL ADJUSTMENT ASSY

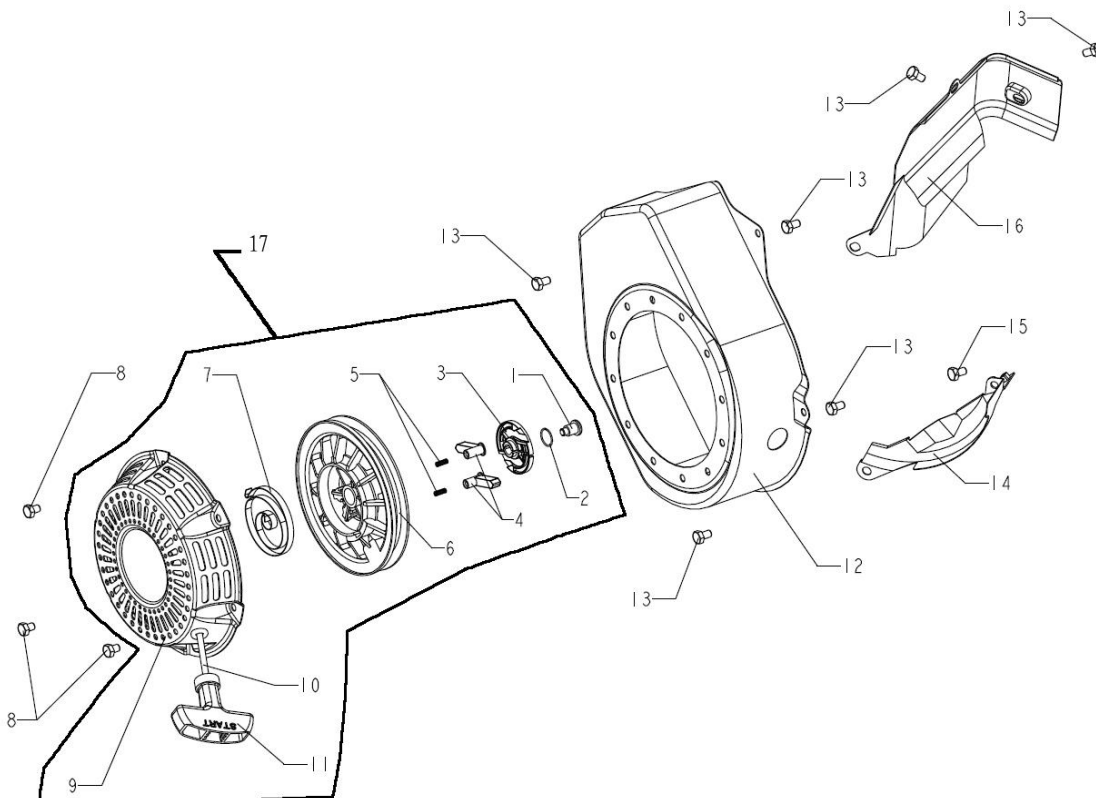
NO.	CODE	DESCRIPTION	QTY.
1	QJ168QDJ.05-01	Arm	1
2	QJ168QDJ.05-07	Rod Tension	1
3	QJ168QDJ.05-06	Spring 2,Tension	1
4	GB/T6177-2000	Nut	1
5	QJ182QDP.06-03	Bolt,Square	1
6	QJ168QDJ.05-09	Spacer 2	1
7	QJ182QDP.06-02	Circlip	1
8	QJ168QDJ.05-03	Fork	1
9	QJ166QDK.06-03	Spacer 1	1
10	QJ168QDJ.05-04	Pin	1
11	QJ166QDK.01-02	Circlip	1
12	QJ168QDJ.05.02-01	Adjustment,Centrifugal	1
13	QJ168QDJ.05.02-03	Block,Centrifugal	2
14	QJ168QDJ.05.02-02	Pin	2
15	QJ168QDJ.05-08	Spacer 3	1
16	QJ168QDJ.05-02	Cover,Push Rod	1
17	JF168FJH-7.03-01	Spring 1,Tension	1
18	GB/T5789-1986	Bolt	2
19	JF168FJH-7.03.01	Handle Assy	1
20	GB/T5789-1986	Bolt	1



En-Fig 6:

STARTING SETS.

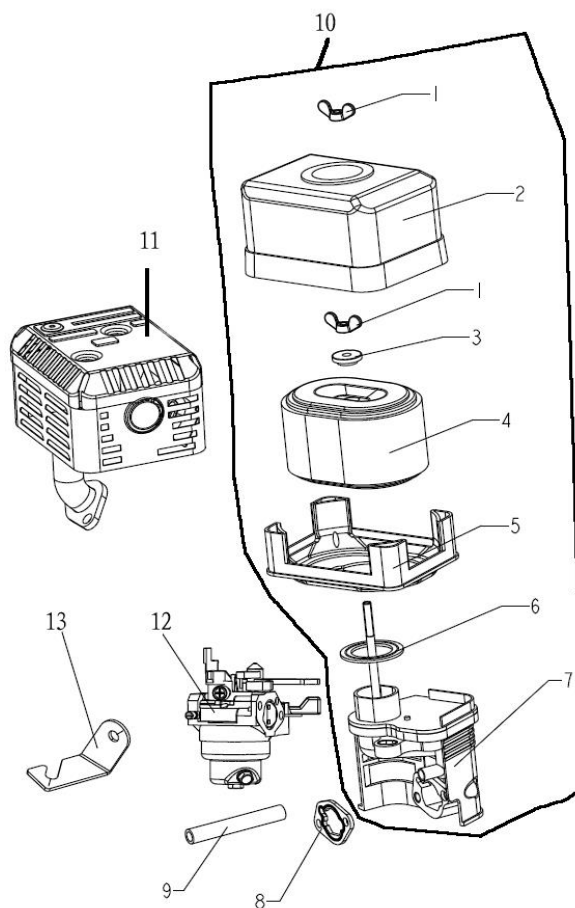
NO.	CODE	DESCRIPTION	QTY.
1	QJ168QDJ.06-05	Screw	1
2	QJ168QDJ.06-06	Circlip	1
3	QJ168QDJ.06-04	Plate Guide	1
4	QJ168QDJ.06-01	Block Clutch	2
5	QJ168QDJ.06-02	Spring,Pressure	2
6	QJ168QDJ.06-03	Table,Rotary	1
7	QJ168QDJ.06-07	Spring,Turbination	1
8	GB/T5789-1986	Bolt	3
9	QJ168QDJ.06.01	Cover,Starting	1
10	QJ168QDJ.06-08	Rope,Strating	1
11	QJ168QDJ.06-09	Handle	1
12	JF168FJH-5.03.02.01	Cowling	1
13	GB/T5789-1986	Bolt	6
14	JF168FJH-5.03.01.01	Plate 1 Diversion	1
15	GB/T5789-1986	Bolt	1
16	QJ168QDJ.06.02-01	Plate 2 Diversion	1
17	JF168FLH-M.06	Start pulling plate sets	1



En-Fig 7:

AIR CLEANER ASSY

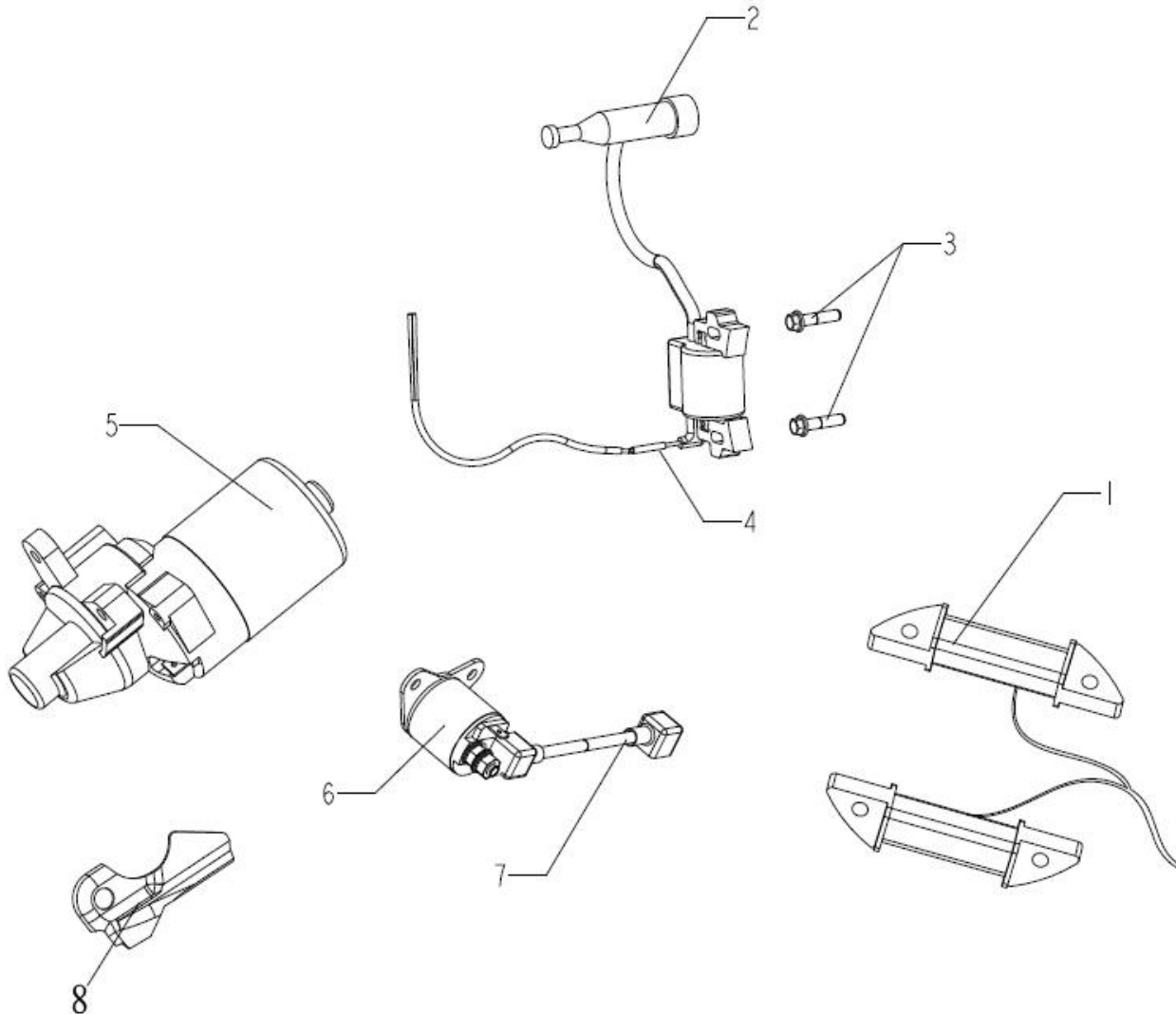
NO.	CODE	DESCRIPTION	QTY.
1	GB62-88 (M6)	Nut	2
2	QJ168QDJ.07-04B	Cover,Filtering	1
3	ZJ168FJH.07.01.01-02	Seal	1
4	ZJ168FJH.07.01.01	Core,Filtering	1
5	ZJ168FJH.07.01-02	Bracket,Filtering	1
6	ZJ168FJH.07.01-03	Seal	1
7	QJ168QDJ.07.01	Cover,Upper Body	1
8	QJ168QDJ.07.03	Seal,Air Cleaner	1
9	QJ168QDJ.07-01	Colloid Pipe	1
10	QJ168QDJ.07B	AIR CLEANER ASSY	1
11	QJ168QDL.05	MUFFLER ASSY	1
12	JF168FLH-8B.09	CARBURETOR ASSY	1
13	JF168FLH-8B.09-01	Bracket,choke cable comp	1



En-Fig 8:

Switch Assy,Ignition

NO.	CODE	DESCRIPTION	QTY.	
1	JF168FLH-8B.06.01	Stator comp	1	
2	QJ168QDJ.11.03	Ignition coil assy	1	
3	GB/T5789-1986	Bolt M6X25	2	
4	JF168FJH-8B.06.02	Connecting Wire Assy	1	
5	JF168FJH-5.05.01	motor assy.starter	1	
6	168FJH-5.05.03	starting relay	1	
7	JF168FJH-5.05.03.01	wire,starting relay	1	
8	JF168FJH-5.01-01	wire,fixed board	1	



FRAME GROUP

Fig 17

NO.	CODE	DESCRIPTION	QTY.	
1	57100-K3	FRAME COMP.(R.S.B)	1	
2	57870805512505	BOLT M8X55 ,GB5787	9	
3	61870800012505	LOCKING NUT M8, GB6187	4	
4	8010047250G000	R- WASHER	12	
5	58430-K3	C.B.C.CUSTOM J-BAR.LSIDE(R.S.B)	1	
6	58440-K3	C.B.C.CUSTOM J-BAR.RSIDE(R.S.B)	1	
7	7110018080G000	TUBE SEAT ϕ 28	2	
9	58410-K3	C.B.C.CUSTOM CROSS BARTOP.FR(R.S.B)	1	
10	7010017250G000	TUBE SEAT ϕ 25	3	
11	58480-K5	Rear Decorative pole (L)	2	
18	60110-K3	THROTTLE CABLE COMP.	1	
19	60120-K3	REVERSE CABLE COMP.	2	
20	60130-K3	CHOKE CABLE COMP (R)	1	
21	57890802510005	BOLT M8X29 ,GB5789	3	
22	58510-K3	Brake and accelerator bracket	1	
23	58610-K3	PROTECTING BAR	1	
25	58005-K3	FOAM PADDING-1	2	
26	58006-K3	FOAM PADDING-2	2	
27	58010-K3	BIKINI TOP	1	
28	58420-K3	Back pipe of roof	1	
29	58490-K5	Rear Decorative pole (R)	1	
30	57890801610005	BOLT M8X16 ,GB5789	8	
31	65042-K2	Rear Shelf cover	1	
32	ST5.5X10	BOLT ST5.5X10	4	
33	58007-K3	Clamps	4	
34	7020012250G000	RUBBER FOOLPLAIE	4	

FIG. 17

FRAME GROUP

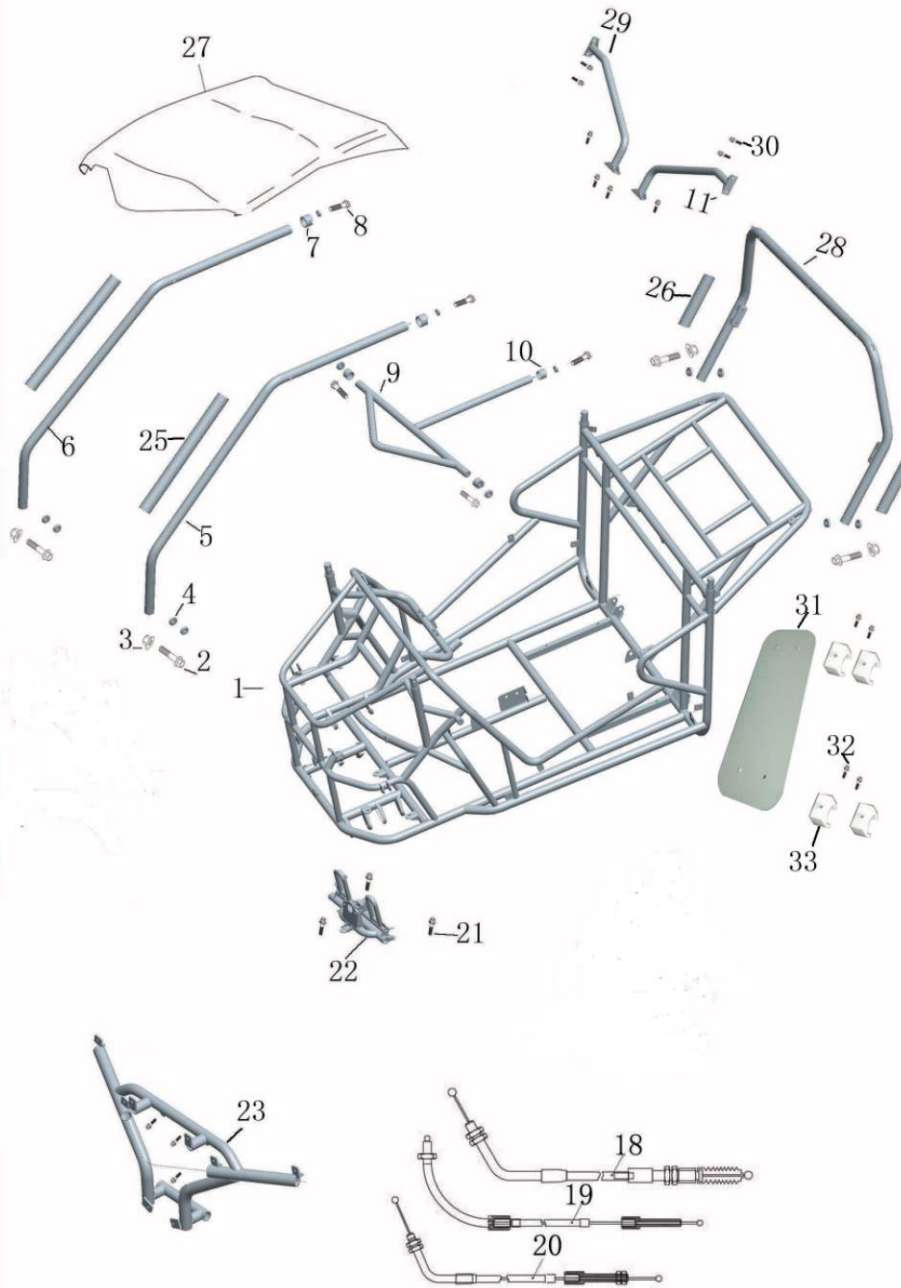


Fig 18:

STEERING SHAFT ASSY

NO.	CODE	DESCRIPTION	QTY.	
1	7010056080G000	STEERING BOLT COVER	1	
2	61870600010006	LOCKING NUT M6	9	
3	7020057080G000	STEERING WHEEL	1	
4	60010-K3	STEERING-SHAFT	1	
5	57830601610005	GB5783 BOLT M6 x16	3	
6	60200-K3	STEERING GEAR ASSY	1	
7	81800501410001	GB818 BOLT M5 x12	2	
8	8010079080G700	connecting pipe	1	
9	7010007080G000	STEERING GEAR BUSH	2	
10	8010075080G200	gear axle	1	
11	6000180080G200	STEERING BALL JOINT	2	
12	61710800012505	GB6170 nut m8	2	
13	60001-K3	TIE ROD	2	
14	61700800012505(L)	GB6170 nut m8(L)	2	
15	6000181080G000	ROD END	2	
16	8000002080G000	TIE ROD ASSY	2	
18	8010131080G300	STEERING GEAR	1	
19	4010001080G000	Connecting device、COVER	1	
20	57870602010005	GB5787 BOLT M6 x20	4	
21	7020059080G000	STEERING BALL JOINT DUST COVER	2	
22	61871000012502	LOCKING NYLON NUT M10*1.25	1	
23	8020130080G000	STEERING GEAR BRACKET(R.S.B)	2	
24	61870800012505	NUT M8	2	
25	7020043080G000	BRAKE PEDAL PAD	1	
26	7020044080G000	THROTTLE PEDAL PAD	1	
27	70000801612505	GB70 BLOT M8X16	1	
28	9500218080G000	THROTTLE PEDAL COMP	1	
29	87910300160000	ROLL PIN ϕ 3 x 16	2	
30	8040010080G000	THROTTLE PEDAL RETURN SPRING,L	1	
31	8040011080G000	BRAKE PEDAL RETURN SPRING,R	1	
32	7010003250G000	PEDAL BUSH	4	
33	4000044080G000	BRALE PEDAL COMP.	1	
34	8010123080G000	PEDAL BOLT	1	
35	87910300200000	ROLL PIN ϕ 3 x 20	1	
36	57820806512505	BOLT M8X65	1	
37	7010022080G000	rubber food pedal stop	1	
38	8020209080G000	Stopping plate	1	
39	57830801812502	GB5783 BOLT M8X18	1	
40	97000800000005	GB97 WASHER ϕ 8	1	

41	61700800012505	GB6170 NUT M8	2	
42	GB911503000002	COTTER PIN	1	
43	88200602800003	LOCKING ROLL PIN	1	
44	8020224080G000	CYIINDER ROD BRACKET	1	
45	7020076080G000	DUST COVER	1	
46	6000000080G000	Hydraulic brake assembly	1	
47	6000010080G000	BRAKE HOSE ASSY	1	
48	6000306080G000	CYIINDER ROD	1	
49	61700600010001	GB6170 NUT M6	1	
50	9700004080G000	bolt M10X24	2	
51	9300010080G000	washer ϕ 10	4	
52	6000305080G000	MASTER CYLIND ER	1	
54	57890602510005	GB5789 BOLT M6X25	2	

FIG. 18

PARTS MANUAL

STEERING SHAFT ASSY.

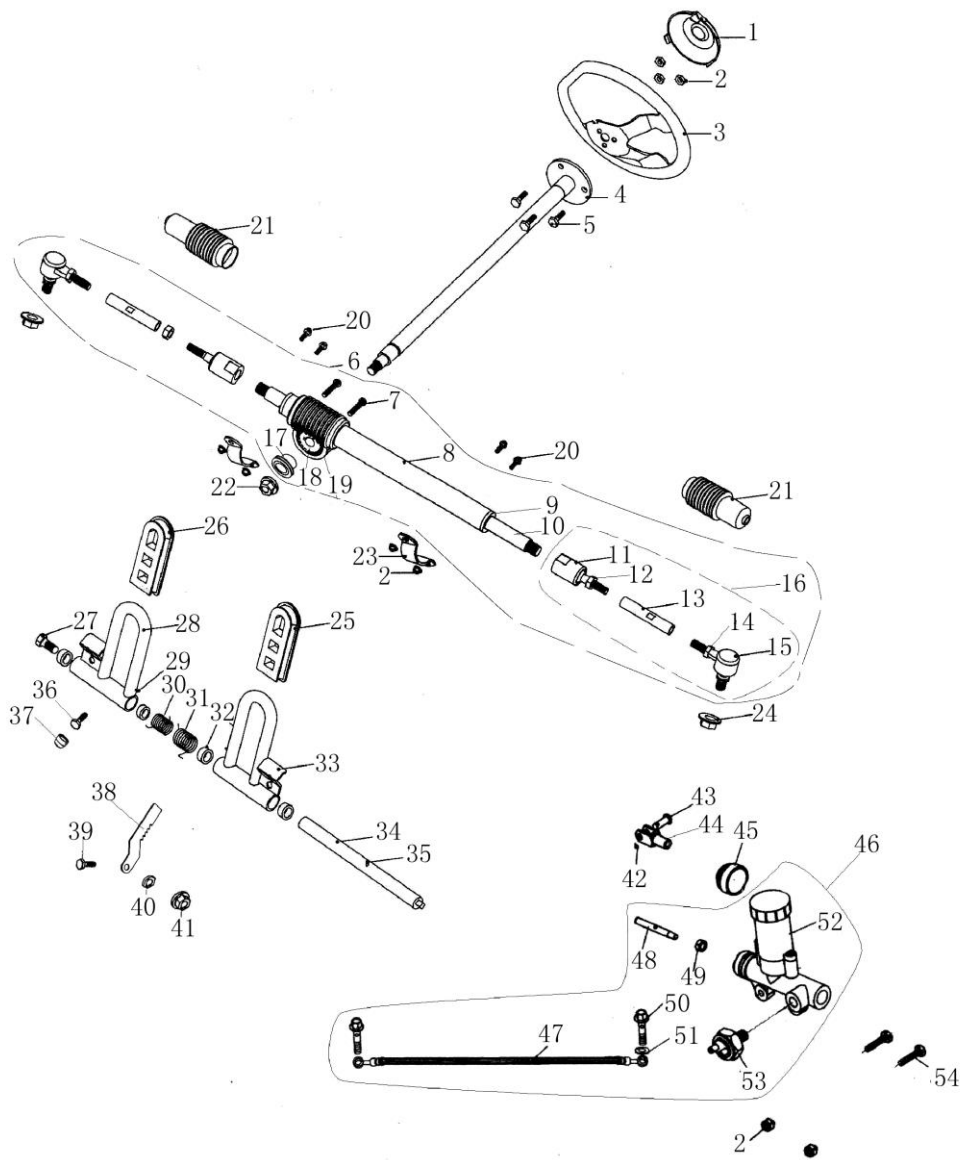


Fig 19:

SUSPENSION ARM ASSY

NO.	CODE	DESCRIPTION	QTY.	
1	GB5789 M10 x 145	GB5789 BOLOT M10 x 145	2	
2	7010003250G000	UPPER SUSPENSION ARM BUSH	8	
3	8010015-K5	UPPER SUSPENSION ARM COLLAR	2	
4	58210-K3	UPPER SUSPENSION ARM	2	
5	61870800012505	GB6187 LOCKING FLANGE UNT.M8	4	
6	57871004012505	GB5787 FLANGE BOLT M10 x 40x1.25	4	
7	61871000012505	GB6187 LOCKING FLANGE M10X1.25	4	
8	94571000012505	GB9457 NUT M10*1.25	4	
9	GB912503000002	COTTER PIN φ2.5X30	6	
10	44220-K3	SPINDLE AND STRUT SUPPORT,L	1	
11	43100-K3	CUSHION ASS Y.FR	2	
12	GB5789 M10 x 205	FLANGE BOLT M10x1.25x205	2	
13	58220-K3	LOWER SUSPENSION ARM ASS Y	2	
14	7020061080G000	BALL HEAD DUST SEAL	4	
15	44210-K3	SPINDLE AND STRUT SUPPORT,R	1	
16	62022RS0000000	BEARING 6202	2	
17	6000309080G000	FRONT WHEEL ASS Y.L.	1	
18	6100311080G000	TIRE,FR 16X6-8	2	
19	6100310080G000	RIM,FR	2	
20	7190018080G000	Air valve	2	
21	6100321080G000	FRONT WHEEL ASSY.R.	1	
22	8010084080G000	Collar	2	
23	62012RS0000000	BEARING 6201	2	
24	94571200012505	NUT M12	2	
25	7020039250G000	HUB COVER FR	2	
26	8.010.014-K3	LOWER SUSPENSION ARM COLLAR	2	

FIG.19

SUSPENSION ARM ASSY.

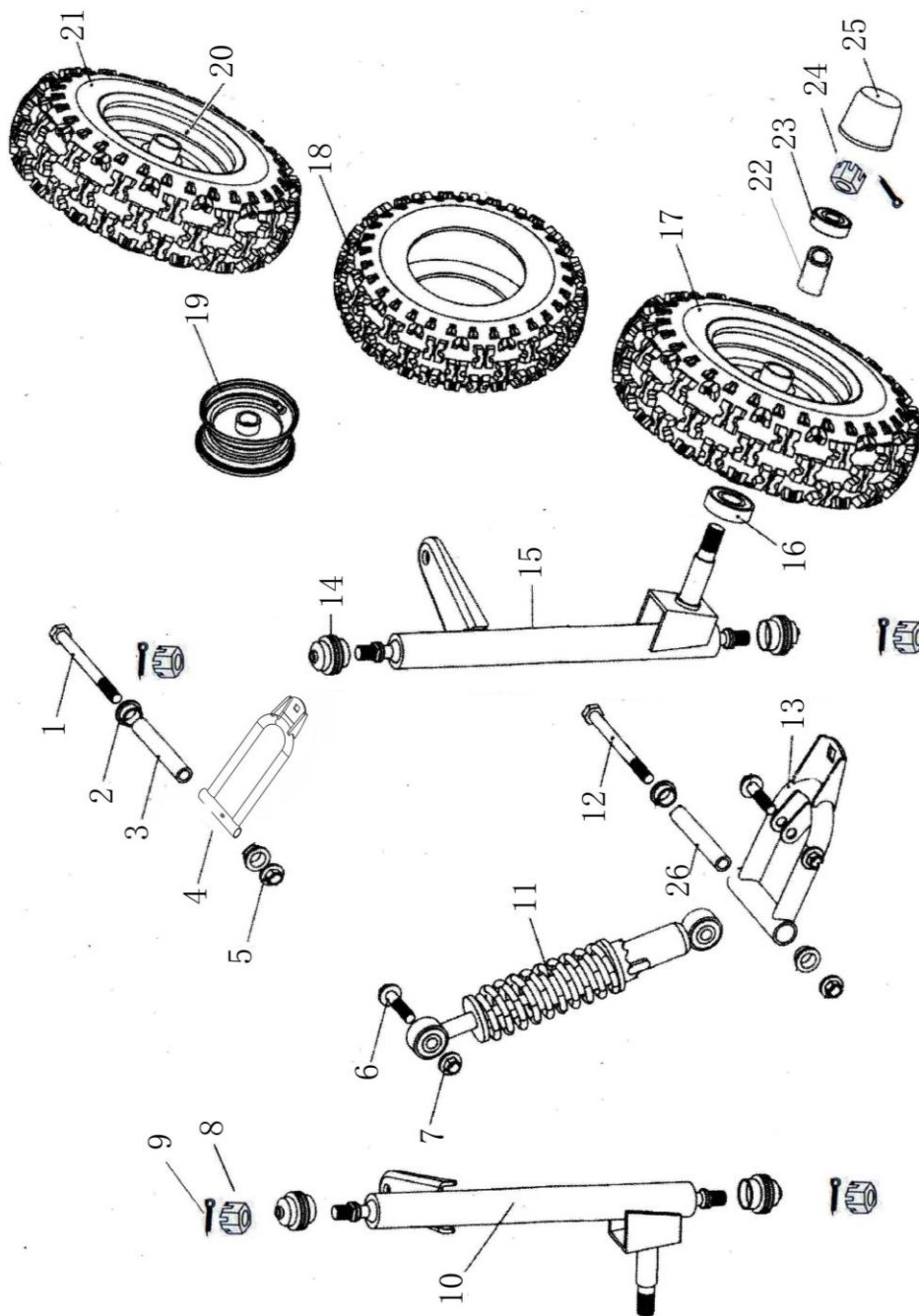


Fig 20:

Reverse gear box

NO.	CODE	DESCRIPTION	QTY.
1	58330-K3	ENGINE MOUNTING PLATE-METALLIC	1
2	57871017012505	BOLT M10X1.25X170	1
3	61871000012505	LOCKING NUT M10X1.25	6
4	58340-K3	Engine mounting bracket	1
5	61870800012505	LOCKING NUT M10X1.25	8
6	58360-K3	Damping block	3
7	57871012012505	BOLT M10X1.25X180	2
9	Reverse box-c8	Reverse gear box	1
10	57870808012505	BOLT M10X1.25X60	2
12	58301-K3	MOUNT LINK COLLAR	2
13	58302-K3	MOUNT LINK CUSHION	2
15	8110021080G001	DRIVE COVER PLASTIC	1
16	58350-K3	CLUTCH COVER MOUNTING PLATE	1
17	57890601210005	FLANGE LOCKING NUT M6X12	4
18	7.020.077	SHOCK ABSORBING BUSHING $\phi 10*\phi 30*30/35$	2
19	58050-LA	ENGINE PYLON FIXED	1

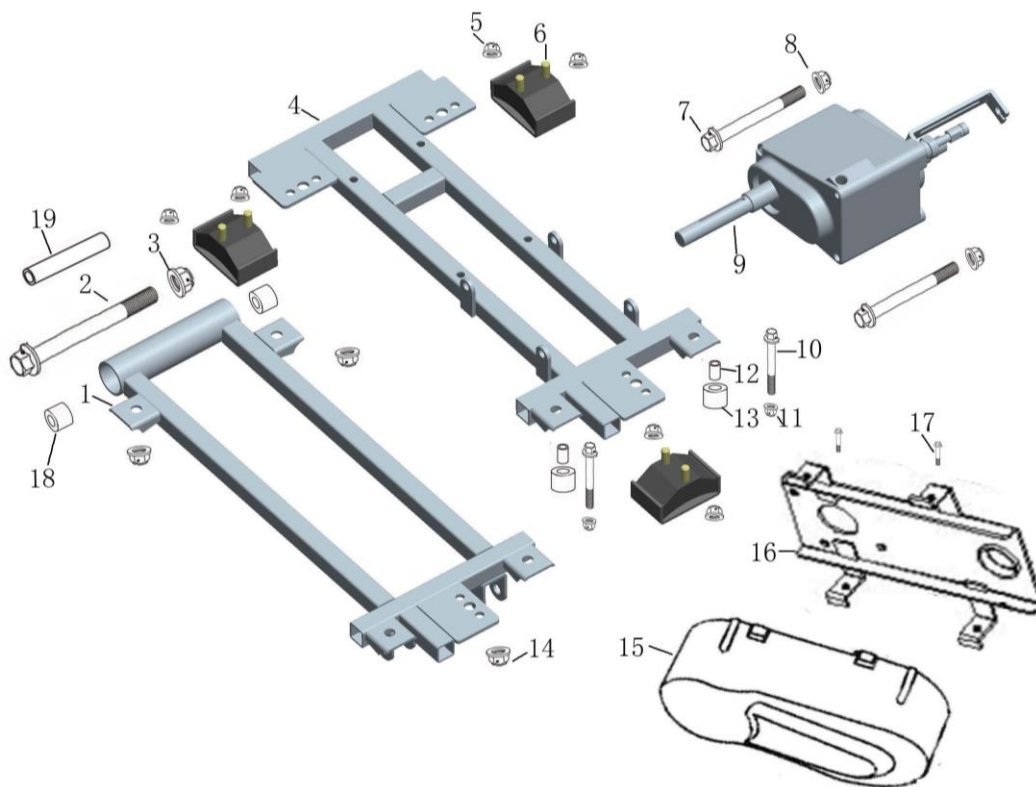


Fig 21:

REAR HOUSING

NO.	CODE	DESCRIPTION	QTY.
1	7020039250G000	HUB COVER,RR	2
2	GB913003000002	COTTER PIN 3x40	2
3	94571600015005	CASTLE NUT M16	2
4	96001600000005	GB96 WASHER Φ 16	2
5	6000315080G000	REAR WHEEL ASSY R.	1
6	8010199080G000	REAR AXLE	1
7	57890801612505	FLANGE BOLT M8 x1.25x16	6
8	5801000110G000	AXLE COVER	2
10	60052RS0000000	BEARING,6005	2
11	70000802012505	FLANGE BOLT M8x20	8
12	8010201080G000	DISC BRAKE,RR	1
13	8010202080G000	REAR AXLE HUB	1
14	8010200080G000	REAR SPROCKET	1
15	9110020080G000	BOLT M10x1.25x25	1
16	420-62	DRIVE CHAIN	1
17	JT-420	MASTER LINK	1
18	6000316080G000	REAR WHEEL ASS Y.L	1
19	7190018080G000	Air valve	2
20	6100333080G000	RIM,RR	2
21	7020078080G000	REAR TIRE 16x7-8	2

FIG.21

REAR HOUSING

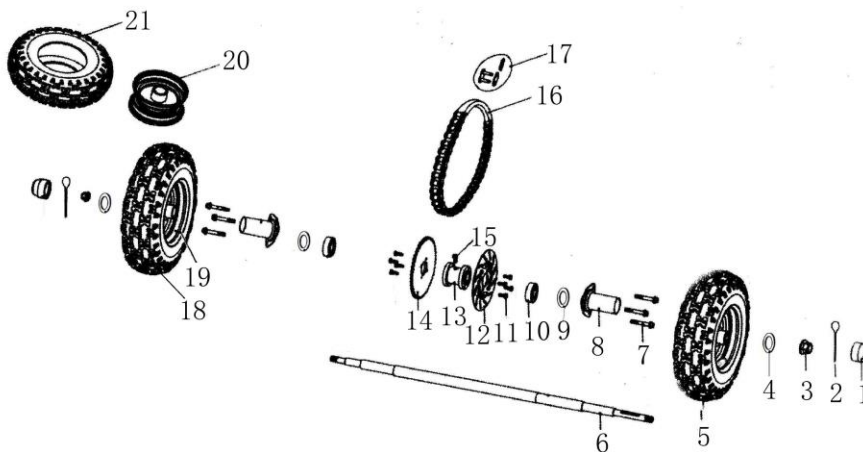


Fig 22:

REAR SWING ARM

NO.	CODE	DESCRIPTION	QTY.	
1	61871000012505	LOCKING FLANGE NUT M10x1.25	8	
2	57891004012505	FLANGE BOLT M10x1.25x40	6	
3	63100-K3	CUSHION ASSY. RR	2	
4	58230-K3	REAR FENDER BRACKET.R	1	
5	6000382250G000	BATTERY 12V 12AH	1	
6	7020023250G000	BATTERY STRAP	1	
7	58310-K3	REAR SWING ARM	1	
8	61701600015005	NUT M16X1.5, GB6170	1	
9	58301-K5	Threaded sleeve	2	
10	58310-K5	LINKAGE KNUCKLE	1	
11	94571200012505	CASTLE NUT M12X1.5, GB9457	1	
12	GB912503000002	COTTER PIN ϕ 2.5x30, GB91	1	
13	57890801610005	FLANGE BOLT M8x16	2	
14	58240-K3	REAR FENDER BRACKET.L	1	
15	54501-K3	FENDER	2	
16	61770600010005	FLANGE NUT M6 GB6177	6	
17	57890601610005	FLANGE BOLT M6x16	6	
18	7020016250G000	RR. BRAKE PAD SET	1	
19	GB70 M8X12	BOLT M8X12	2	
20	GB93 ϕ 8	SPRING WASHER ϕ 8	2	
21	6000028250G000	RR. CALIPER ASSY.	1	
22	61871200012505	NUT M12X1.25	1	
23	96001200000005	WASHER ϕ 12	2	
24	61701200012505	NUT M12X1.25	1	
25	8.010.041-K3	BUSHING-CHAIN ADJUSTER	1	
26	61871000012505	FLANGE LOCKING NUT M10X1.25	1	
27	8147008080G000	CHAIN ADJUSTER	1	
28	7010028250G000	BATTERY COVER	1	
29	7020020250G000	LOWER BATTERY CUSHION	1	
30	58050-K3	Limiting band	2	
31	44001-K3	FLANGE BOLT	4	

FIG.22

REAR SWING ARM

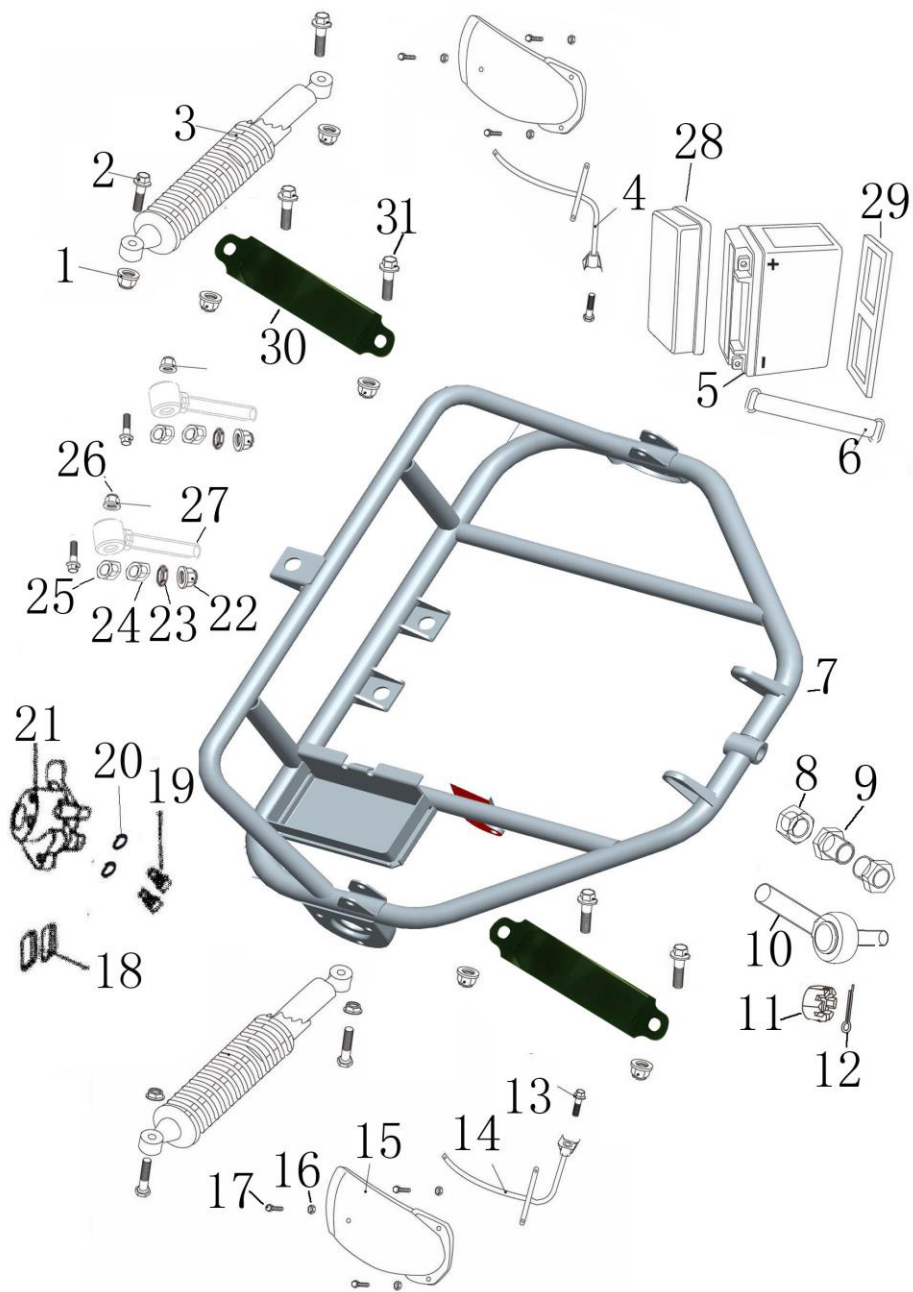


Fig 23:

WIRE HARNESS/ELECTRICAL/SEAT/ENGINE

NO.	CODE	DESCRIPTION	QTY	
1	6100167080G000	RECTIFIER COMP.REGULATE	1	
2	61770600010005	NUT M6	1	
3	57890601610005	bolt M6X16	2	
4	91010-K3	ENGINE STOP SWITCH	1	
5	80031-K5	HORN switch	1	
6	80032-K5	TURN SIGNAL LAMP switch	1	
7	80033-K5	headlamp switch	1	
8	80034-K5	ENGINE STOP SWITCH	1	
9	80035-K5	Ignition switch	1	
10	9.700.001	SAFETY BELT SPECIAL BOLT	4	
12	57891002012505	FLANGE BOLT M10*1.25*20, GB5789	1	
13	61871000012505	GB6187 LOCKING FLANGE UNT.M10*1.25	1	
14	6000328080G000	SAFETY BELT	1	
15	61000-K5	SEAT ASSY	1	
16	51300-K5	SEAT back	2	
17	51100-K5	SEAT COMP.R	1	
18	51220-K5	DRIVER SEAT SLIDER	1	
19	51200-K5	SEAT RALL SET	1	
20	57870801612503	bolt M8X16	2	
21	61770800012505	FLANGE NUT M8	2	
22	57870804012505	bolt M8X35	2	
23	6000313080G000	WIRE HARNESS	1	
24	4000030080G000	FUEL TANK COMP	1	
25	168N080080G000	FUEL TANK JOINT	1	
26	168N090080G000	O-RING(14mm)	1	
27	61870600010005	NUT M6	2	
28	5000100080G000	00A RUBBER MOUNT	2	
29	621A0800000000	HOSE CLAMP φ8	1	
30	93000600000005	LOCK WASHER φ8 ,GB93	1	
31	57870603010005	bolt M6X30	1	
32	6000145080G000	FUEL FILLER CAP COMP	1	
33	1000000080G000	ENGINE COMP.	1	
34	12111208034	Ligature band 200	15	
35	8120000080GA00	ENGINE STOP SWITCH	1	
36	10220-K3	Throttle support	1	
37	8006000300K000	REAR REFLECTOR	1	
38	97000500000005	GB97 WASHER φ5	1	
39	61700500010005	GB6170 NUT M5	1	
40	GB5789	FLANGE BOLT M6X12	1	
41	80036-K5	HORN	1	

FIG.23

WIRE HARNESS/ELECTRICAL/SEAT/ENGINE

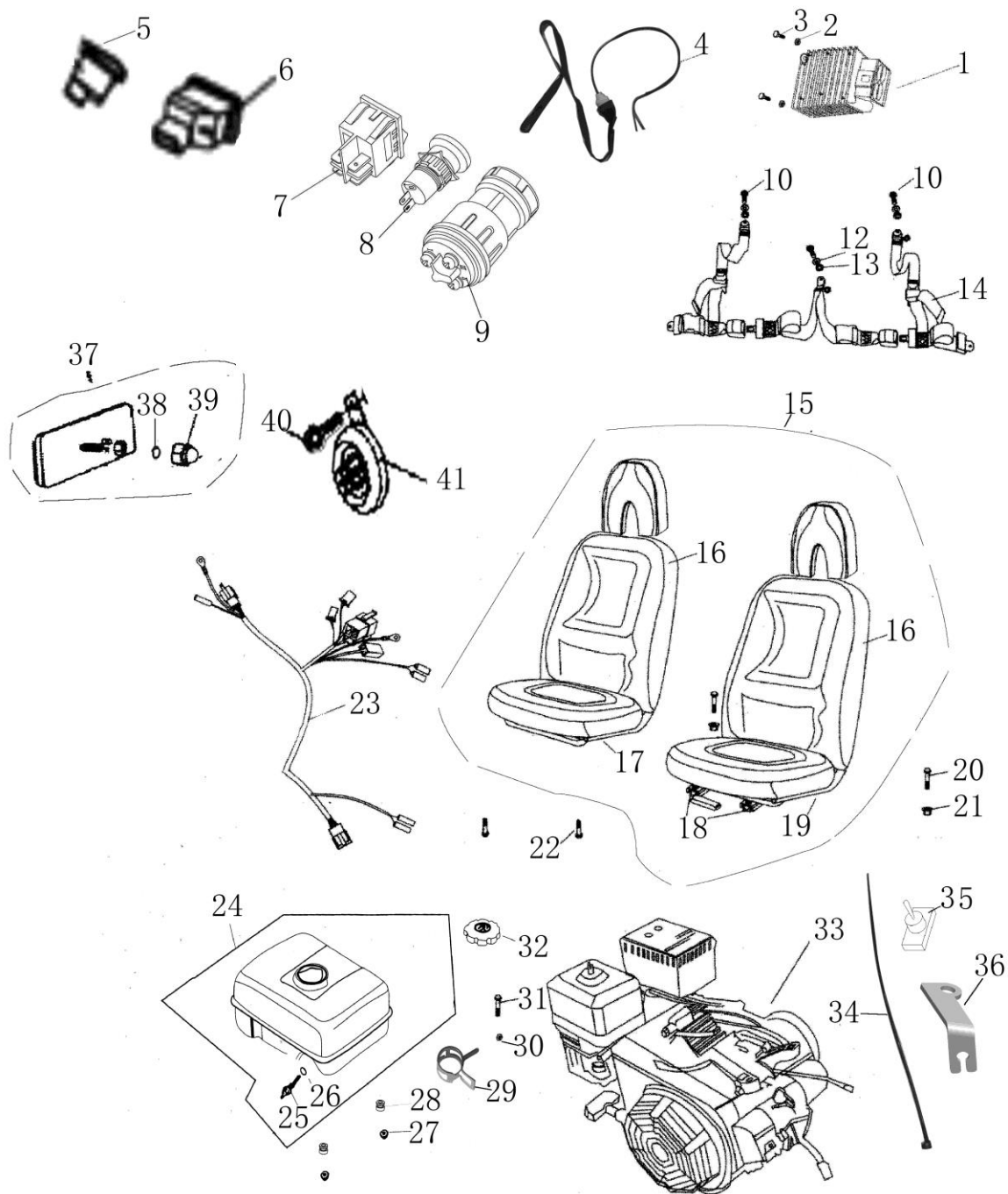


Fig 24

PLASTIC PARTS

NO.	CODE	DESCRIPTION	QTY.
1	65101-K5	Protection rod cover(R)	1
2	65102-K5	Protection rod cover(L)	1
3	65103-K5	Decorative parts(L)	1
4	65104-K5	Decorative parts(F)	1
5	65105-K5	Decorative parts(R)	1
6	81100-K5	Headlights(R)	1
7	GB6170	GB6170 NUT M6	4
8	81300-K5	Headlights(L)	1
9	65106-K5	Front cover	1
10	65107-K5	Left cover	1
11	9.116.006	BULGE BOLT	15
12	65108-K5	cover	1
13	65109-K5	Right cover	1
15	65112-K5	Decorative cover	1
16	GB2823	BOLT ST3.2X8	23
19	65122-K5	Switch board	2
20	GB9074.6	BOLT M6X16 ,GB9074.6	2
25	65032-K5	Front decoration cover	1
26	GB5787	BOLT M6X20 ,GB5787	8
27	GB5787	BOLT M6X8 ,GB5787	4
28	GB5787	BOLT M6X12 ,GB5787	18

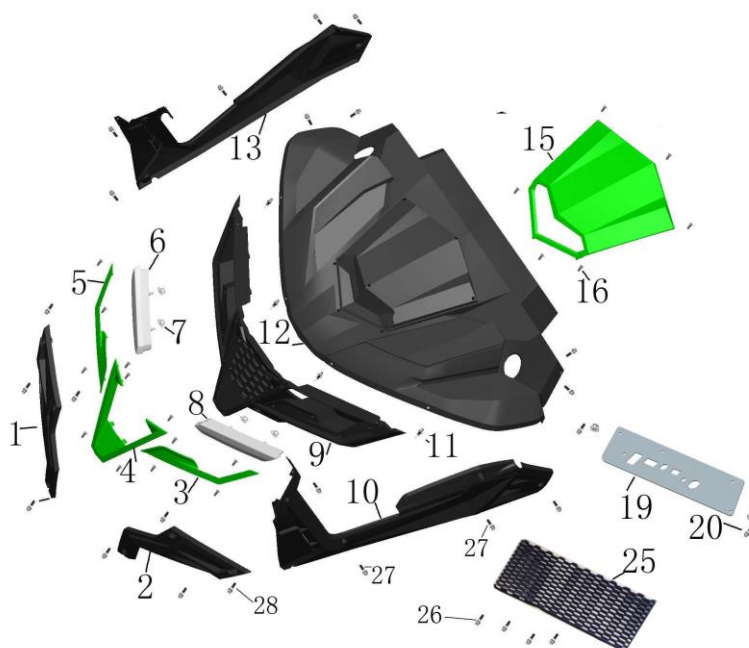


FIG.25

CVT

NO.	CODE	DESCRIPTION	QTY.	
1	9.500.001	FRONT CLUTCH 80T	1	
2	8.146.098	SHEAVE, STATIONARY	1	
4	8.147.000	SHEAVE, MOVEABLE	1	
5	8.147.001	HUB	1	
6	8.147.002	DRUM	1	
7	9.300.008	BUSHING BOLCK	1	
8	GB5787	BOLT, M8X40	1	
9	9.100.018	BELT	1	
10	10011-LA	COLLAR $\Phi 30 \times \Phi 20 \times 18$	1	
11	9.500.010	DRIVEN PULLEY	1	

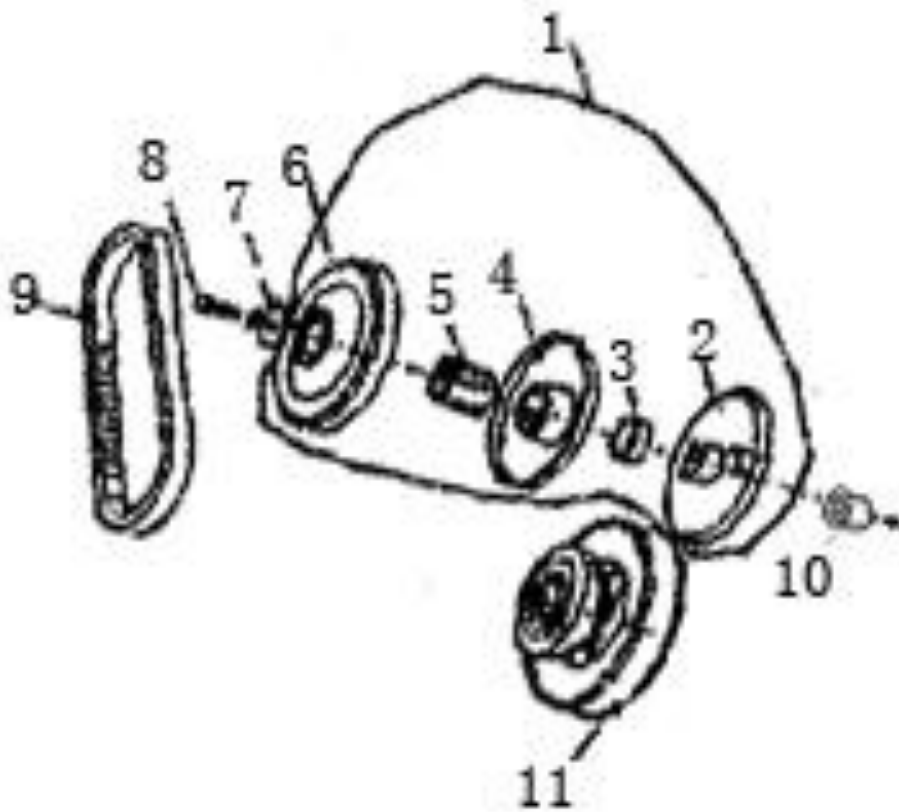


Fig 26:

REAR SWING ARM ASSY.UPPER

NO.	CODE	DESCRIPTION	QTY.	
1	GB912503000002	COTTER PIN ϕ 2.5×25, GB91	1	
2	94571200012505	CASTLE NUT M12X1.25, GB9457	1	
3	58310-K5	LINKAGE KNUCKLE	1	
4	58301-K5	Threaded sleeve	2	
5	61701600015005	NUT M16X1.5, GB6170	1	
6	58320-K5	Bracket connecting frame	1	
7	GB5789	FLANGE BOLT M10×1.25×68	2	
8	58720N	CUSHION BUSH	2	
9	GB6187	LOCKING FLANGE NUT M10×1.25	2	
29	6000042150G000	PARKING BRAKE LEVER ASSY	1	
30	81800501210005	BOLT M8X16 ,GB578	1	
31	97000500000005	NUT M8 ,GB6187	1	
32	7020024150G000	Hand brake protection cover	1	
33	57870802012505	FLANGE BOLT M8X20	2	
34	8040004150G000	PARKING BRAKE CABLE SPRING	1	
35	61870800012505	LOCKING FLANGE NUT M8	2	

REAR SWING ARM ASSY. UPPER

